

ROTAN® - Lube Oil Pumps
Refrigeration Industry

PROVEN TECHNOLOGY

DESMI

ROTAN®

Lube Oil Pumps

Refrigeration Industry

ROTAN® pumps are manufactured by DESMI, a global company founded in 1834. The company is one of Denmark's oldest companies with offices around the world and more than 600 employees.

To meet the increasing demands in the refrigeration industry, our standard pumps have been modified over the years in close co-operation with various important customers in the refrigeration industry, to whom DESMI has supplied pumps since 1979.

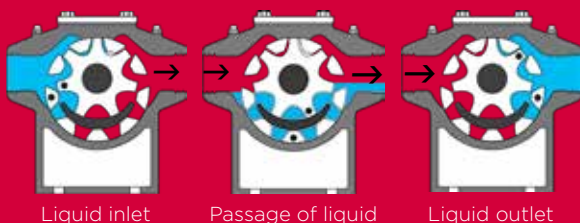
ROTAN® - One of the World's Leading Internal Gear Pumps

The internal gear pump principle was developed in 1915 by a Danish-American.

In 1921, he licensed a Danish company to manufacture the pumps, which have been continuously marketed worldwide under the ROTAN® name. The unique, modular concept of ROTAN® pumps is generally recognized as the most advanced internal gear pump design available today.

The ROTAN® internal gear pump provides favourable flow conditions, as the direction of the liquid flow is only changed slightly through the pump.

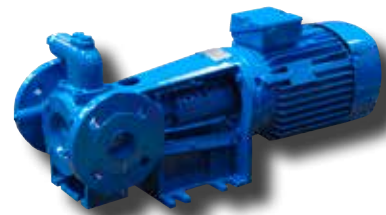
Method of Operation



See how it works

This means that superior self-priming capability and gentle liquid handling are achieved, and also that highly viscous liquids can be pumped. ROTAN® pumps have the following additional advantages:

- Pumping in either direction
- Easy maintenance and inspection based on the modular design
- Sturdy and uncomplicated construction with only two rotating parts and one shaft seal
- Comprehensive choice of configurations available as standard
- Genuine back pull-out design
- End clearance axial adjustment



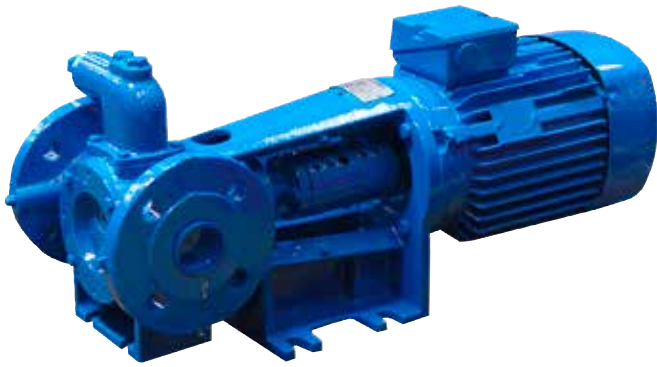
All ROTAN® pumps are hydrostatically tested.

ROTAN® pumps can be supplied in accordance with the ATEX Directive for use in potentially explosive environments.

The ROTAN® pumps are certified by Physikalisch-Technische Bundesanstalt PTB, Postfach 33 45, 38023 Braunschweig, registration number 03 ATEX D052.

It is DESMI's policy to offer customized solutions developed in co-operation with worldwide leading companies and to follow-up by first class after-sales service.

Civil Refrigeration



System Pressure	25 bar
Differential Pressure	4 bar
Viscosity	10-200 cSt
Temperature	5-120°C
Seal	Metal Bellow Sealol type 680
Flanges	CL300 or PN40
Construction Material	Grey Cast Iron GG25 (STD) Ductile Cast Iron GGG40 (on request)
O-rings	Neoprene, HNBR, VITON Other materials on request

The ROTAN® GP pump range is a simple and compact construction making it a low-cost pump unit that has been modified to meet the specific requirements for the closed systems in the refrigeration industry. The pump takes advantage of the benefits of O-rings instead of gaskets and has as a standard balanced bellow type seal. The ROTAN® GP pump range has a direct to motor drive complete with pump, drive unit, coupling, and integrated baseplate. A close-coupled OEM model is also available



Available test, certification & documentation

- ATEX Conformity
- Maritime Certification
- Material Certification 2.1 (GG25) & 3.1 GGG40
- Dynamic & Hydrodynamic Test

Applications

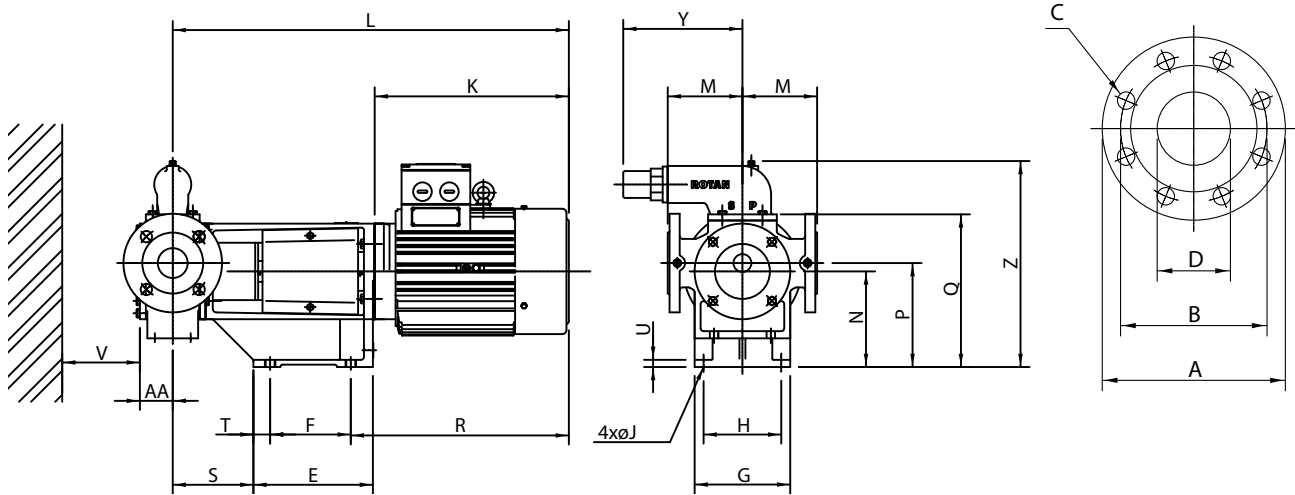
Pumping of mineral oil, alkyl benzene, polyalfaolifin, polyglycol, polyolester oils with a minor content of coolants (Compatible with gases used in the market)¹

Flowrate of ROTAN® GP Pumps 50 Hz*				
Pump	Connection	8 Pole	6 Pole	4 Pole
27	DN25/1"	13 l/m	17 l/m	25 l/m
34	DN32/1.25"	23 l/m	30 l/m	45 l/m
42	DN40/1.5"	45 l/m	60 l/m	90 l/m
52	DN50/2"	95 l/m	125 l/m	
67	DN65/2.5"	155 l/m	210 l/m	
82	DN80/3"	300 l/m	410 l/m	
102	DN100/4"	625 l/m		

Flowrate of ROTAN® GP Pumps 60 Hz*				
Pump	Connection	8 Pole	6 Pole	4 Pole
27	DN25/1"	16 l/m	20 l/m	30 l/m
34	DN32/1.25"	28 l/m	36 l/m	54 l/m
42	DN40/1.5"	54 l/m	72 l/m	106 l/m
52	DN50/2"	114 l/m	150 l/m	
67	DN65/2.5"	186 l/m	252 l/m	
82	DN80/3"	355 l/m	485 l/m	
102	DN100/4"	730 l/m		

¹ Should not be used for propylene, propane, and helium as coolant

ROTAN® GP – General Purpose Pumps



Flanger / Flanges / Flanschen		IEC- / DIN Motorer	
ISO 2084 / DIN 2501 / BS 4504 : 1969		Byggestørrelse / Motor size	Byggeform / Mounting arrangement
Type Typ	Tryktrin / Nominal pressure / Nenndruck	80-112	B14
26-81	PN 16	132-160	B5
101	PN 10		

Type	Motor	A	B	C	D	E	F	G	H	J	K	L	M	N	P	Q	R	S	T	U	V	Y	Z	AA	Weight KG																		
																									Pump	Valve																	
GP 27	80										225	464	60 or 83				297	82																									
	90S	115	85	4-Ø14	25	125	65	120	90	12	265	484			112	120	167	307	87	20	10	50	115	243	34	11	2																
	90L										290	509						332																									
GP 34	80					125	65	120	90		255	468	60 or 83				297	86																									
	90S	140	100	4-Ø18	32	130	70	140	110	12	290	513			112	120	167	307							243																		
	90L																																										
	100L																																										
100XL																								132	140	187	368						263										
GP 42	90S	150	110	4-Ø18	40	150	90	140	110	15	265	519	90 or 100				307																										
	90L																																										
	100L																																										
	100LX																																										
	112M6,8																																										
GP 52	100L	165	125	4-Ø19	50	200	135	160	130	15	325	663	125				368																										
	100LX																																										
	112M4																																										
	132S																																										
	132SX																																										
	132M6,8																																										
	132M4,MX6																																										
GP 67	100L	190	145	4-Ø19	65	200	135	160	130	15	325	668	125				368																										
	100LX																																										
	112M2,6,8																																										
	112M4																																										
	132S																																										
	132SX																																										
	132M6,8																																										
	132M4,MX6																																										
	160MX8																																										
160M4,6,8																																											
GP 82	132S6,8	210	160	8-Ø19	80	220	140	225	195	15	390	792	150				450																										
	132M6																																										
	132MX8																																										
	160MX8																																										
	160M6,8																																										
GP 102	132MX6	229	180	8Ø-19	100	220	140	225	195	15	430	837	180				490																										
	132M6,8																																										
	160MX8																																										
	160M6,8																																										
	160L6,8																																										
	180L6,8																																										

All numbers from A to AA are in mm

Oil & Gas Refrigeration



System Pressure	30 bar
Differential Pressure	5 bar
Viscosity	10-200 cSt
Temperature	5-120°C
Seal	Metal Bellow Sealol type 680
Flanges	CL300 or PN40
Construction Material	Cast Steel GS-52 3 (STD) Stainless Steel 316 (on request)
O-rings	Neoprene, HNBR, VITON Other materials on request

The ROTAN® PD pumps are designed for refinery and petrochemical applications. All pressure containing components are in carbon steel. Design pressure according to ANSI 300 Lbs or PN40. This makes the ROTAN® PD pump range an ideal pump when working with the refrigeration industry in the Oil & Gas sector. The pump has been modified to meet the specific requirements for the closed systems in the refrigeration industry. The pump takes advantage of the benefits of O-rings instead of gaskets and has as a standard a balanced bellow type seal. The ROTAN® PD pump is a free-shaft pump mounted on a baseplate either with a gearbox or directly with a motor.



- Available test, certification & documentation
- ATEX Conformity
 - Maritime Certification
 - API676 meets standard with few deviations
 - Material Certification 3.1
 - Dynamic & Hydrodynamic Test

Applications

Pumping of mineral oil, alkyl benzene, polyalfaolifin, polyglycol, polyolester oils with a minor content of coolants (Compatible with gases used in the market)¹

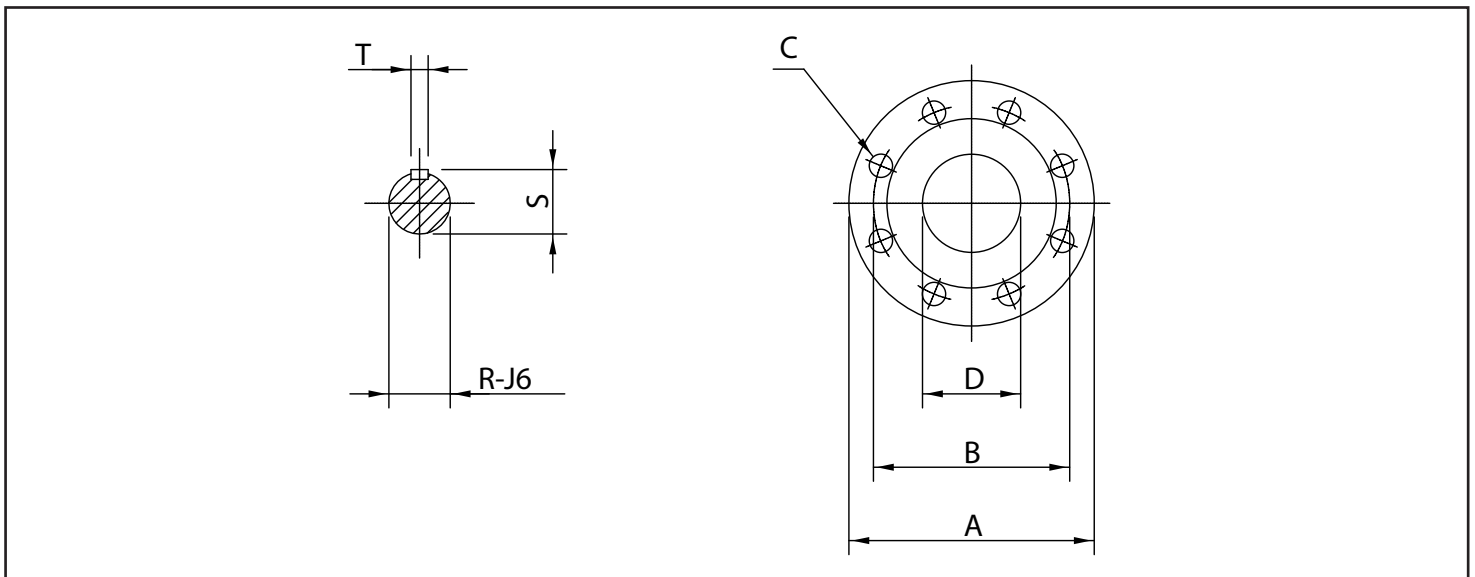
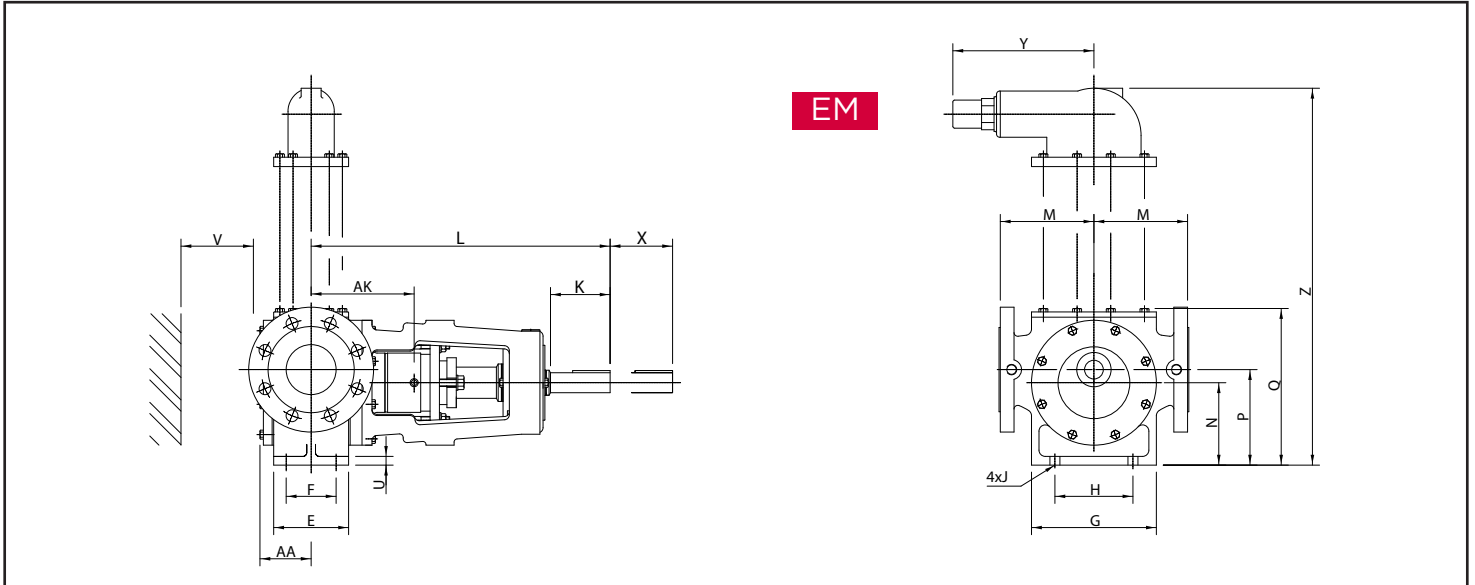


Flowrate of ROTAN® PD Pumps 50 Hz*				
Pump	Connection	8 Pole	6 Pole	4 Pole
27	DN25/1"	13 l/m	17 l/m	25 l/m
34	DN32/1.25"	23 l/m	30 l/m	45 l/m
42	DN40/1.5"	45 l/m	60 l/m	90 l/m
52	DN50/2"	95 l/m	125 l/m	
67	DN65/2.5"	155 l/m	210 l/m	
82	DN80/3"	300 l/m	410 l/m	
102	DN100/4"	625 l/m		

Flowrate of ROTAN® PD Pumps 60 Hz*				
Pump	Connection	8 Pole	6 Pole	4 Pole
27	DN25/1"	16 l/m	20 l/m	30 l/m
34	DN32/1.25"	28 l/m	36 l/m	54 l/m
42	DN40/1.5"	54 l/m	72 l/m	106 l/m
52	DN50/2"	114 l/m	150 l/m	
67	DN65/2.5"	186 l/m	252 l/m	
82	DN80/3"	355 l/m	485 l/m	
102	DN100/4"	730 l/m		

¹ Should not be used for propylene, propane, and helium as coolant

ROTAN® PD – Petrochemical Duty Pumps

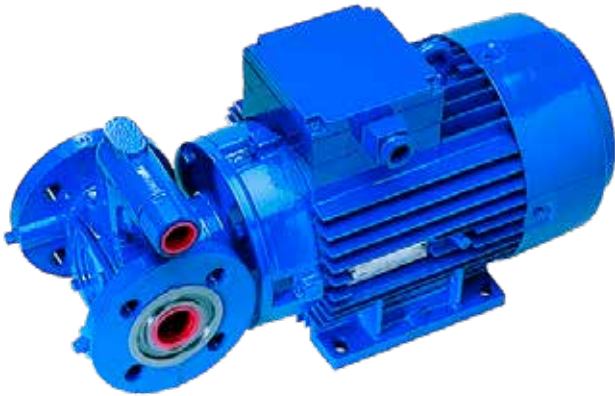


Flanger / Flanges / Flanschen				
Type Typ	ISO	DIN	BS	ANSI
27-102	2084-PN16	2501-ND16	4504 1969 PN16	B 16,5 Class 150

Type Typ	A	B	C	D	E	F	G	H	J	K	L	M	N	P	Q	R	S	T	U	V	X	AA	AK	Y	Z	AL	AM	AN	Weight KG	
																Pump	Valve													
PD27	115	85	4/Ø14	25	45	28	90	50	Ø7	40	249	83	71	79	126	Ø12	13.5	4	8	50	70	34	76	115	202	77	57	62	7	2
PD34	140	100	4/Ø18	32	45	28	90	50	Ø7	40	253	83	71	79	126	Ø12	13.5	4	8	60	80	38	80	115	202	81	61	62	10	2
PD42	150	110	4/Ø18	40	70	50	120	65	Ø10	48	293	100	100	100	175	Ø16	18	5	10	65	55	48	89	115	248	94	97	55	18	2
PD52	165	125	4/Ø19	50	85	60	160	95	Ø12	66	357	125	112	126	213	Ø27	30	8	12	70	70	61	116	199	288	124	94	92	36	6
PD67	190	145	4/Ø19	65	95	60	160	95	Ø12	66	362	125	112	126	213	Ø27	30	8	12	80	80	66	118	199	288	127	95	91	43	6
PD82	210	160	4/Ø19	80	120	80	200	125	Ø15	103	488	150	132	153	257	Ø32	35.5	10	14	100	100	82	165	226	363	169	134	111	70	10
PD102	229	180	4/Ø19	100	140	110	245	160	Ø15	103	493	180	160	187	307	Ø32	35.5	10	14	115	115	92	175	226	413	175	144	116	96	10

All numbers from A to AN are in mm

Special Application



System Pressure	25 bar
Differential Pressure	4 bar
Viscosity	10-200 cSt
Temperature	5-120°C
Seal	Metal Bellow Sealol type 680
Flanges	CL300 or PN40
Construction Material	Grey Cast Iron GG25 (STD) Ductile Cast Iron GGG40 (on request)
O-rings	Neopren, HNBR, VITON Other materials on request

Due to the unique designs of customers products, DESMI has developed a series of pumps specially designed to meet their needs. Most notably is the ROTAN® CC pump series which is based on the ROTAN® GP monobloc pump but has completely removed the support bracket, baseplate and coupling.

The result is a very compact pump that still has all the advantages of the full sized ROTAN® GP pump series. The pump takes advantage of the benefits of the O-rings instead of gaskets and has as a standard balanced bellow type seal. This makes the ROTAN® CC pump an ideal solution for compact refrigeration units where space is a valuable resource.



DESMI ROTAN® pumps fully meet the new standards and requirements, and we can supply.

Available test, certification & documentation

- ATEX Conformity
- Maritime Certification
- Material Certification 2.1 (GG25)
- Dynamic & Hydrodynamic Test



Flowrate of ROTAN® CC Pumps 50 Hz*				
Pump	Connection	8 Pole	6 Pole	4 Pole
27	DN25/1"	13 l/m	17 l/m	25 l/m
34	DN32/1.25"	23 l/m	30 l/m	45 l/m
42	DN40/1.5"	45 l/m	60 l/m	90 l/m

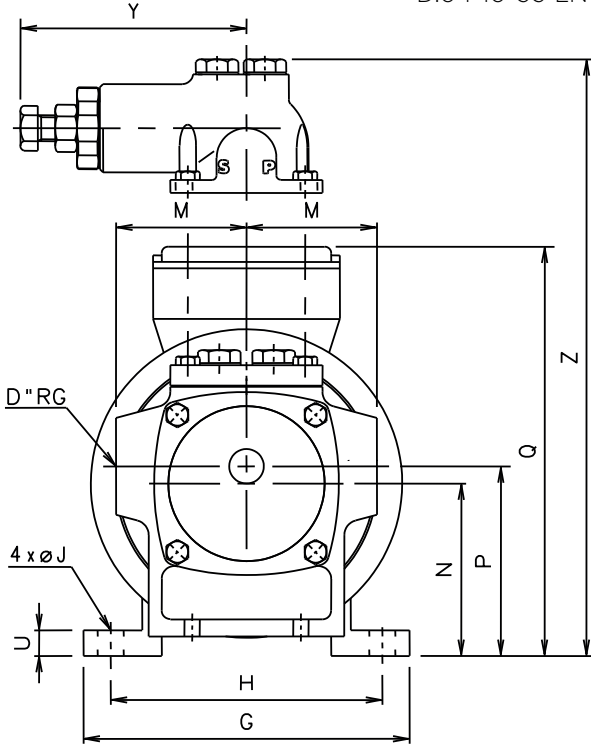
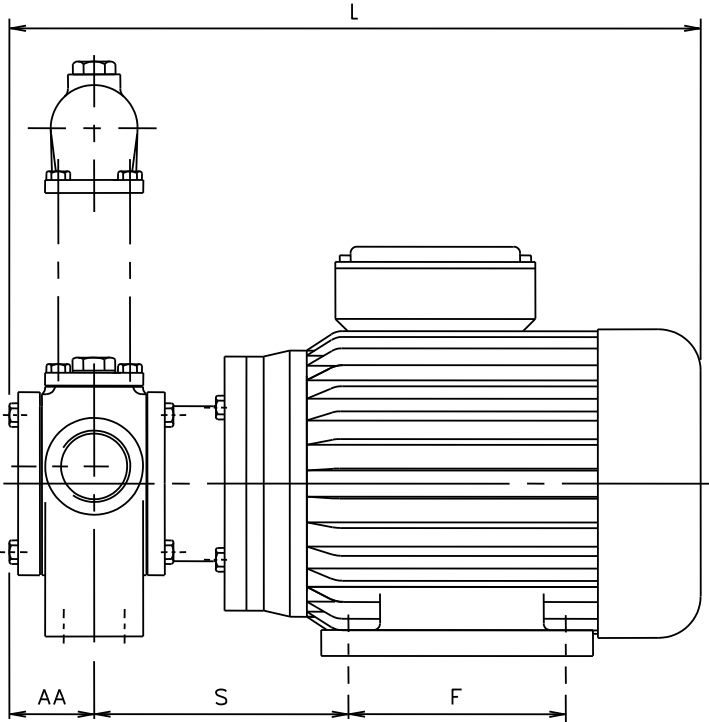
Flowrate of ROTAN® CC Pumps 60 Hz*				
Pump	Connection	8 Pole	6 Pole	4 Pole
27	DN25/1"	16 l/m	20 l/m	30 l/m
34	DN32/1.25"	28 l/m	36 l/m	54 l/m
42	DN40/1.5"	54 l/m	72 l/m	106 l/m

* Should not be used for propylene, propane, and helium as coolant

* Should not be used for propylene, propane, and helium as coolant

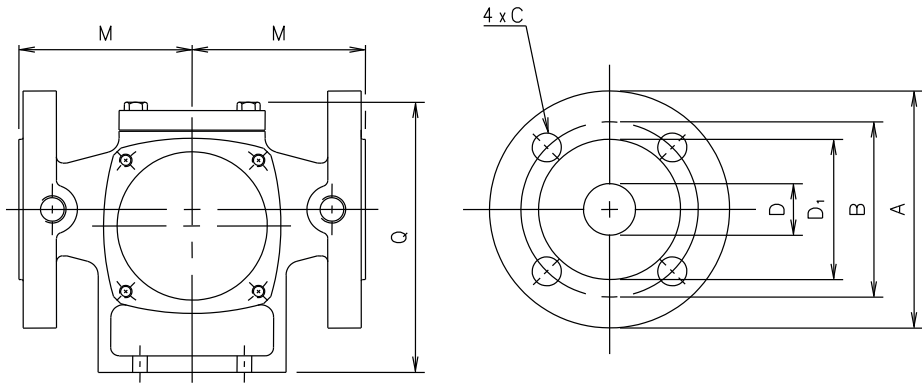
ROTAN® CC – Close Coupled

T1421
D.04-10-99 LN



Type	D	F	G	H	J	L	N	P	Q	S	U	Y	Z	AA
CC26-IEC 80	1"	100	155	125	10	343	80	88	190	120	9	104	187	39
CC26-IEC 90-S	1"	100	180	140	10	373	90	98	203	126	12	104	197	39
CC26-IEC 90-L	1"	125	180	140	10	403	90	98	203	126	12	104	197	39
CC33-IEC 80	1 ¼"	100	155	125	10	351	80	88	190	124	9	104	187	43
CC33-IEC 90-S	1 ¼"	100	180	140	10	381	90	98	203	130	12	104	197	43
CC33-IEC 90-L	1 ¼"	125	180	140	10	411	90	98	203	130	12	104	197	43
CC41-IEC 112	1 ½"	140	204	160	10	448	100	110	233	157	14	104	245	48
CC41-IEC 100	1 ½"	140	236	190	10	458	112	124	257	164	15	104	259	48

All numbers from D to AA are in mm



Flange Dimensions

Type	A	B	C	D ₁	D	M	Q
CC26	ø115	ø85	ø14	ø68	ø25	83	128
CC33	ø140	ø100	ø18	ø78	ø32	83	128
CC41	ø150	ø110	ø18	ø88	ø40	100	174

Advantages of ROTAN® Pumps in Lube Oil Systems

To meet the increasing demands in the refrigeration industry, our standard pumps have been modified over the years in close co-operation with various important customers in the refrigeration industry, whom DESMI ROTAN® has provided with pumps since 1979.

The demand to phase out the use of chlorine-containing refrigerants causing damage to the ozone layer has led to new refrigerants and lubricating oils, which make special calls on the pumps, such as:

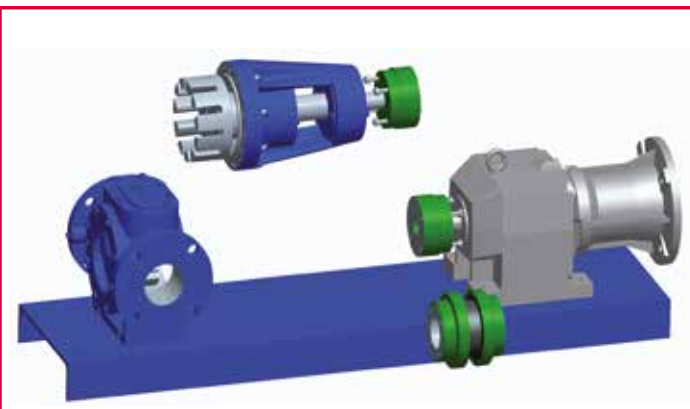
- The materials in the refrigerating installation, particularly the elastomers, must be compatible with the new refrigerants and lubes. Mechanical seals and static sealing must be able to withstand vacuum suction, as more of the new refrigerants are hygroscopic, i.e. absorbing water from the air.

- This makes it necessary to evacuate aqueous vapour, if any, from the installation before filling up with oil.
- New refrigerants often demand higher design pressure.

Flexibility across Range

Our DESMI ROTAN® GP pump range has integrated pump, coupling, baseplate, and drive unit and is offered in grey cast iron GG25 or nodular cast iron GGG40.

Picture below shows the ROTAN® GP in details.



Additional Features for all DESMI ROTAN® Pump Types:

- ROTAN® pumps are made with “back-pull-out” system, which allows inspection/repair of the rotating cartridge without disturbing the piping or coupling alignment
- O-rings over gaskets
 - Superior at high system pressures.
 - Flexibility in material combinations (Neoprene, HNBR, Viton, other materials on request)
 - Ultimate protection against leakage

DESMI

- Proven Technology

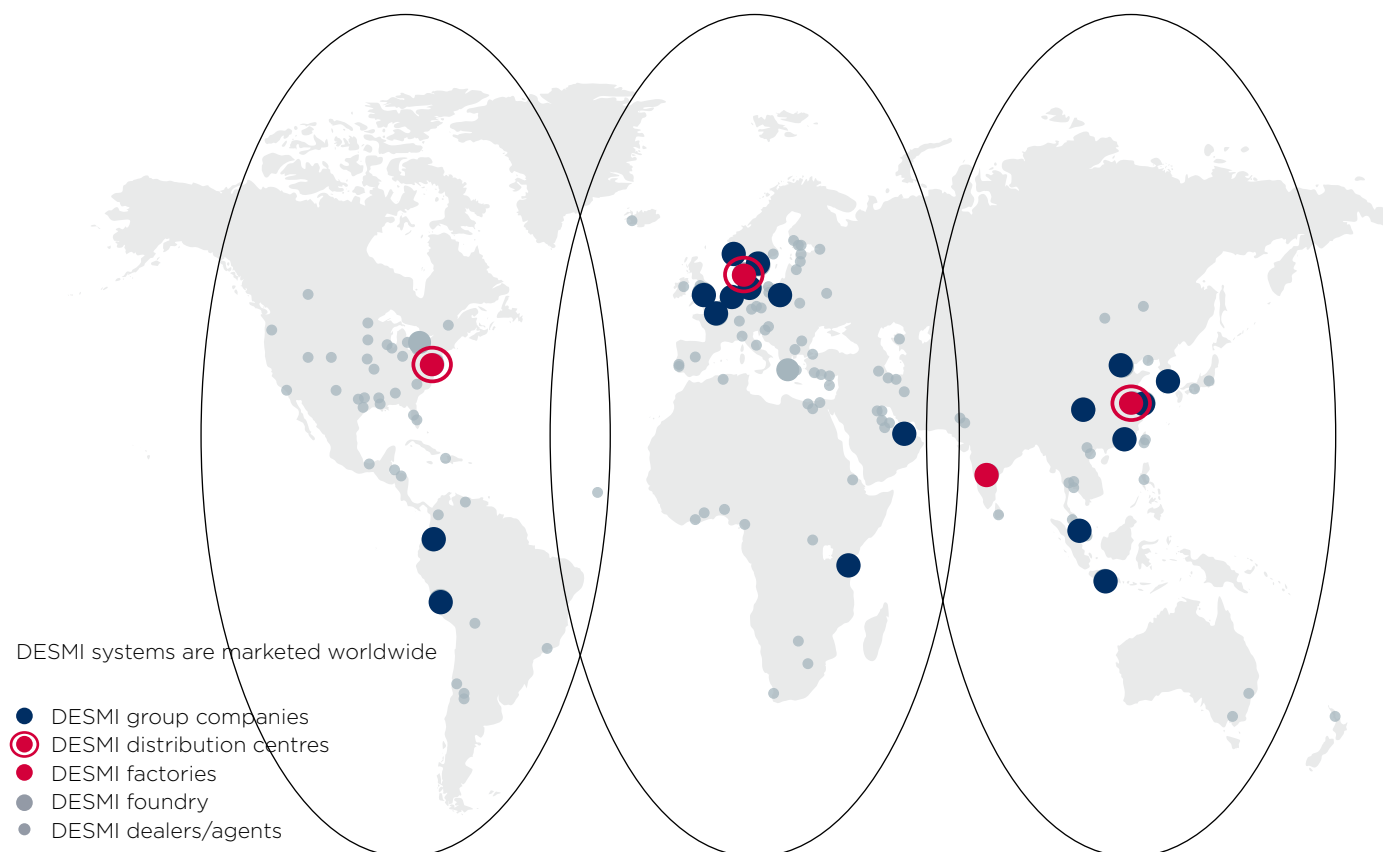
DESMI has specialised in the development, manufacture, sale and service of pump solutions for marine, industry, oil spill response, defence & fuel, and utility, operating globally, but acting locally.

Our product range - completed by products from other leading, world-class manufacturers - is complemented by related services such as design and installation of pump systems and after sales service through our network of service centres.

DESMI pumps and systems are sold to more than 100 countries via a worldwide network of subsidiaries and distributors.

In order to meet the customers' demands for more complete systems, we are providing solutions and systems as well as single standard pumps and components.

For more detailed information please visit our website www.desmi.com



THE DESMI GROUP - ONE GLOBAL COMPANY

DESMI offices:

Africa

DESMI Africa Ltd.
Tel.: +255 757597827

Canada

DESMI Inc.
Tel.: +1 905 321 3471

China

DESMI Pumping Technology (Suzhou) Co., Ltd.
Tel.: +86 512 6274 0400

DESMI Pumping Technology (Suzhou) Co., Ltd.
Shanghai Liaison Office
Tel.: +86 21 6071 06 00-05, 6071 06 07-13

DESMI Pumping Technology (Suzhou) Co., Ltd.
Tianjin Liaison Office
Tel.: +86 22 2317 0467

DESMI Pumping Technology (Suzhou) Co., Ltd.
Guangzhou Liaison Office
Tel.: +86 20 2831 3973

DESMI Pumping Technology (Suzhou) Co., Ltd.
Chongqing Liaison Office
Tel.: +86 23 8823 3518

DESMI Pumping Technology (Suzhou) Co., Ltd.
Chongqing Liaison Office
Tel.: +86 23 8823 3518

DESMI Pumping Technology (Suzhou) Co., Ltd.
Chongqing Liaison Office
Tel.: +86 23 8823 3518

DESMI Pumping Technology (Suzhou) Co., Ltd.
Chongqing Liaison Office
Tel.: +86 23 8823 3518

DESMI Pumping Technology (Suzhou) Co., Ltd.
Chongqing Liaison Office
Tel.: +86 23 8823 3518

DESMI Pumping Technology (Suzhou) Co., Ltd.
Chongqing Liaison Office
Tel.: +86 23 8823 3518

DESMI Pumping Technology (Suzhou) Co., Ltd.
Chongqing Liaison Office
Tel.: +86 23 8823 3518

DESMI Pumping Technology (Suzhou) Co., Ltd.
Chongqing Liaison Office
Tel.: +86 23 8823 3518

DESMI Pumping Technology (Suzhou) Co., Ltd.
Chongqing Liaison Office
Tel.: +86 23 8823 3518

DESMI Pumping Technology (Suzhou) Co., Ltd.
Chongqing Liaison Office
Tel.: +86 23 8823 3518

DESMI Pumping Technology (Suzhou) Co., Ltd.
Chongqing Liaison Office
Tel.: +86 23 8823 3518

DESMI Pumping Technology (Suzhou) Co., Ltd.
Chongqing Liaison Office
Tel.: +86 23 8823 3518

DESMI Pumping Technology (Suzhou) Co., Ltd.
Chongqing Liaison Office
Tel.: +86 23 8823 3518

DESMI Pumping Technology (Suzhou) Co., Ltd.
Chongqing Liaison Office
Tel.: +86 23 8823 3518

DESMI Pumping Technology (Suzhou) Co., Ltd.
Chongqing Liaison Office
Tel.: +86 23 8823 3518

DESMI Pumping Technology (Suzhou) Co., Ltd.
Chongqing Liaison Office
Tel.: +86 23 8823 3518

DESMI Pumping Technology (Suzhou) Co., Ltd.
Chongqing Liaison Office
Tel.: +86 23 8823 3518

DESMI Pumping Technology (Suzhou) Co., Ltd.
Chongqing Liaison Office
Tel.: +86 23 8823 3518

DESMI Pumping Technology (Suzhou) Co., Ltd.
Chongqing Liaison Office
Tel.: +86 23 8823 3518

DESMI Pumping Technology (Suzhou) Co., Ltd.
Chongqing Liaison Office
Tel.: +86 23 8823 3518

DESMI Pumping Technology (Suzhou) Co., Ltd.
Chongqing Liaison Office
Tel.: +86 23 8823 3518

DESMI Pumping Technology (Suzhou) Co., Ltd.
Chongqing Liaison Office
Tel.: +86 23 8823 3518

DESMI Pumping Technology (Suzhou) Co., Ltd.
Chongqing Liaison Office
Tel.: +86 23 8823 3518

DESMI Pumping Technology (Suzhou) Co., Ltd.
Chongqing Liaison Office
Tel.: +86 23 8823 3518

DESMI Pumping Technology (Suzhou) Co., Ltd.
Chongqing Liaison Office
Tel.: +86 23 8823 3518

DESMI Pumping Technology (Suzhou) Co., Ltd.
Chongqing Liaison Office
Tel.: +86 23 8823 3518

DESMI Pumping Technology (Suzhou) Co., Ltd.
Chongqing Liaison Office
Tel.: +86 23 8823 3518

DESMI Pumping Technology (Suzhou) Co., Ltd.
Chongqing Liaison Office
Tel.: +86 23 8823 3518

DESMI Pumping Technology (Suzhou) Co., Ltd.
Chongqing Liaison Office
Tel.: +86 23 8823 3518

DESMI Pumping Technology (Suzhou) Co., Ltd.
Chongqing Liaison Office
Tel.: +86 23 8823 3518

DESMI Pumping Technology (Suzhou) Co., Ltd.
Chongqing Liaison Office
Tel.: +86 23 8823 3518

DESMI Pumping Technology (Suzhou) Co., Ltd.
Chongqing Liaison Office
Tel.: +86 23 8823 3518

DESMI Pumping Technology (Suzhou) Co., Ltd.
Chongqing Liaison Office
Tel.: +86 23 8823 3518

DESMI Pumping Technology (Suzhou) Co., Ltd.
Chongqing Liaison Office
Tel.: +86 23 8823 3518

DESMI Pumping Technology (Suzhou) Co., Ltd.
Chongqing Liaison Office
Tel.: +86 23 8823 3518

DESMI Pumping Technology (Suzhou) Co., Ltd.
Chongqing Liaison Office
Tel.: +86 23 8823 3518

DESMI Pumping Technology (Suzhou) Co., Ltd.
Chongqing Liaison Office
Tel.: +86 23 8823 3518

DESMI Pumping Technology (Suzhou) Co., Ltd.
Chongqing Liaison Office
Tel.: +86 23 8823 3518

DESMI Pumping Technology (Suzhou) Co., Ltd.
Chongqing Liaison Office
Tel.: +86 23 8823 3518

DESMI Pumping Technology (Suzhou) Co., Ltd.
Chongqing Liaison Office
Tel.: +86 23 8823 3518

DESMI Pumping Technology (Suzhou) Co., Ltd.
Chongqing Liaison Office
Tel.: +86 23 8823 3518

DESMI Pumping Technology (Suzhou) Co., Ltd.
Chongqing Liaison Office
Tel.: +86 23 8823 3518

DESMI Pumping Technology (Suzhou) Co., Ltd.
Chongqing Liaison Office
Tel.: +86 23 8823 3518

DESMI Pumping Technology (Suzhou) Co., Ltd.
Chongqing Liaison Office
Tel.: +86 23 8823 3518

DESMI Pumping Technology (Suzhou) Co., Ltd.
Chongqing Liaison Office
Tel.: +86 23 8823 3518

DESMI Pumping Technology (Suzhou) Co., Ltd.
Chongqing Liaison Office
Tel.: +86 23 8823 3518

DESMI Pumping Technology (Suzhou) Co., Ltd.
Chongqing Liaison Office
Tel.: +86 23 8823 3518

DESMI Pumping Technology (Suzhou) Co., Ltd.
Chongqing Liaison Office
Tel.: +86 23 8823 3518

DESMI Pumping Technology (Suzhou) Co., Ltd.
Chongqing Liaison Office
Tel.: +86 23 8823 3518

DESMI Pumping Technology (Suzhou) Co., Ltd.
Chongqing Liaison Office
Tel.: +86 23 8823 3518

DESMI Pumping Technology (Suzhou) Co., Ltd.
Chongqing Liaison Office
Tel.: +86 23 8823 3518

DESMI Pumping Technology (Suzhou) Co., Ltd.
Chongqing Liaison Office
Tel.: +86 23 8823 3518

DESMI Pumping Technology (Suzhou) Co., Ltd.
Chongqing Liaison Office
Tel.: +86 23 8823 3518

DESMI Pumping Technology (Suzhou) Co., Ltd.
Chongqing Liaison Office
Tel.: +86 23 8823 3518

DESMI Pumping Technology (Suzhou) Co., Ltd.
Chongqing Liaison Office
Tel.: +86 23 8823 3518

DESMI Pumping Technology (Suzhou) Co., Ltd.
Chongqing Liaison Office
Tel.: +86 23 8823 3518

DESMI Pumping Technology (Suzhou) Co., Ltd.
Chongqing Liaison Office
Tel.: +86 23 8823 3518

DESMI Pumping Technology (Suzhou) Co., Ltd.
Chongqing Liaison Office
Tel.: +86 23 8823 3518

DESMI Pumping Technology (Suzhou) Co., Ltd.
Chongqing Liaison Office
Tel.: +86 23 8823 3518

DESMI Pumping Technology (Suzhou) Co., Ltd.
Chongqing Liaison Office
Tel.: +86 23 8823 3518

DESMI Pumping Technology (Suzhou) Co., Ltd.
Chongqing Liaison Office
Tel.: +86 23 8823 3518

DESMI Pumping Technology (Suzhou) Co., Ltd.
Chongqing Liaison Office
Tel.: +86 23 8823 3518

DESMI Pumping Technology (Suzhou) Co., Ltd.
Chongqing Liaison Office
Tel.: +86 23 8823 3518

DESMI Pumping Technology (Suzhou) Co., Ltd.
Chongqing Liaison Office
Tel.: +86 23 8823 3518

DESMI Pumping Technology (Suzhou) Co., Ltd.
Chongqing Liaison Office
Tel.: +86 23 8823 3518

DESMI Pumping Technology (Suzhou) Co., Ltd.
Chongqing Liaison Office
Tel.: +86 23 8823 3518

DESMI Pumping Technology (Suzhou) Co., Ltd.
Chongqing Liaison Office
Tel.: +86 23 8823 3518

DESMI Pumping Technology (Suzhou) Co., Ltd.
Chongqing Liaison Office
Tel.: +86 23 8823 3518

DESMI Pumping Technology (Suzhou) Co., Ltd.
Chongqing Liaison Office
Tel.: +86 23 8823 3518

DESMI Pumping Technology (Suzhou) Co., Ltd.
Chongqing Liaison Office
Tel.: +86 23 8823 3518

DESMI Pumping Technology (Suzhou) Co., Ltd.
Chongqing Liaison Office
Tel.: +86 23 8823 3518

DESMI Pumping Technology (Suzhou) Co., Ltd.
Chongqing Liaison Office
Tel.: +86 23 8823 3518

DESMI Pumping Technology (Suzhou) Co., Ltd.
Chongqing Liaison Office
Tel.: +86 23 8823 3518

DESMI Pumping Technology (Suzhou) Co., Ltd.
Chongqing Liaison Office
Tel.: +86 23 8823 3518

DESMI Pumping Technology (Suzhou) Co., Ltd.
Chongqing Liaison Office
Tel.: +86 23 8823 3518

DESMI Pumping Technology (Suzhou) Co., Ltd.
Chongqing Liaison Office
Tel.: +86 23 8823 3518

DESMI Pumping Technology (Suzhou) Co., Ltd.
Chongqing Liaison Office
Tel.: +86 23 8823 3518

DESMI Pumping Technology (Suzhou) Co., Ltd.
Chongqing Liaison Office
Tel.: +86 23 8823 3518

DESMI Pumping Technology (Suzhou) Co., Ltd.
Chongqing Liaison Office
Tel.: +86 23 8823 3518

DESMI Pumping Technology (Suzhou) Co., Ltd.
Chongqing Liaison Office
Tel.: +86 23 8823 3518

DESMI Pumping Technology (Suzhou) Co., Ltd.
Chongqing Liaison Office
Tel.: +86 23 8823 3518

DESMI Pumping Technology (Suzhou) Co., Ltd.
Chongqing Liaison Office
Tel.: +86 23 8823 3518

DESMI Pumping Technology (Suzhou) Co., Ltd.
Chongqing Liaison Office
Tel.: +86 23 8823 3518

DESMI Pumping Technology (Xuancheng)
Co., Ltd.
Tel.: +86 563 2612 570

Denmark

DESMI A/S - Group Head Quarter
Tagholm 1
DK-9400 Nørresundby
Tel.: +45 96 32 81 11

DESMI Pumping Technology A/S
Tel.: +45 96 32 81 11

DESMI Danmark A/S
Tel.: +45 72 44 02 50

DESMI Contracting A/S
Tel.: +45 96 32 81 11

DESMI Ro-Clean A/S
Tel.: +45 65 48 16 10

DESMI Ocean Guard A/S
Tel.: +45 96 32 81 99

DESMI Latinoamerica S.A.
Tel.: +593 2 326 1939

France

DESMI SARL
Tel.: +33 130 439 710

Germany

DESMI GmbH
Tel.: +49 407 519847

Greece

DESMI Greece
Tel.: +30 2114 111 893

India

DESMI India LLP
Tel.: +91-99 4933 9054

Indonesia

DESMI Ro-Clean APAC
Tel.: +62 21 570 7577

Korea

DESMI Korea
Tel.: +82 51 723 8801

Netherlands

DESMI B.V.
Tel.: +31 30 261 00 24

Norway

DESMI Norge AS
Tel.: +47 38 12 21 80

Peru

DESMI PERÚ
Tel.: +51 980 306 227

Poland

DESMI Sp. z o.o.
Tel.: +48 22 676 91 16

Singapore

DESMI Singapore Pte Ltd.
Tel.: +65 62 50 71 77

Sweden

DESMI Sweden
Tel.: +46 31 304 51 30

UAE

DESMI Pumping Technology A/S (Br)
Dubai Office
Tel.: +971 4 501 5530

Abu Dhabi Office

Tel.: +971 50-821 4979

U.K.

DESMI Ltd.
Tel.: +44 1782 566900

DESMI FHS Ltd.

Tel.: +44 1782 566900

USA

DESMI Inc.
Tel.: +1 757 857 7041

- DESMI Companies
- DESMI Dealers/Agents

Need more information or specifications? Contact us at desmi@desmi.com or read more about DESMI and DESMI's other products and solutions at www.desmi.com

MARINE & OFFSHORE

INDUSTRY

OIL SPILL RESPONSE

DEFENCE & FUEL

UTILITY