

OMT1/2/3/4, TA,TC, MS series Mounting & Maintenance Instructions

**Contents**

	<u>page</u>
1. General information	2
2. Delivery	2
3. Mounting	2
4. Coupling	3
5. Electrician connection	5
6. Connection diagram	7
7. Putting into service	8
8. Maintenance	8
9. Bearing types	11
10. Bearing grease intervals	12
11. Storage	13
12. Motor spare parts and drawing	14,15

# OMEC MOTORS

## OMT1/2/3/4, TA,TC, MS series Mounting & Maintenance Instructions

### 1. GENERAL INFORMATION

This manual concerns normal three phase induction motors with an output varying from small to middle size; they are externally cooled, totally enclosed (IC411), supplied in a cast iron or aluminum frame and provided with ball bearings or roller bearings lubricated with grease. All motors are suitable for operate with ambient temperature -20°C up to +40°C and altitude till 1000m above sea level.

### 2. DELIVERY

Before any motor is accepted on site it should be inspected carefully for damage or loss incurred during transport. Transport damage should be reported with photos to the supplier.

You should be able to rotate the shaft easily and smoothly with the hand.

Compare the details on the nameplate with those of the power network and with the requirements of the motor.

### 3. MOUNTING

Eyebolts supplied with the motor are designed to support only the weight of the motor.

The motor must be fixed on a stable, clean and flat foundation with good fitting foundation bolts, using washers. Never mount a motor manufactured for a horizontal mounting on a surface with an angle of inclination of more than 15 degrees without consulting the supplier in advance.

Foot & flange motors always have to be mounted in such a way that the drain holes, if any, are situated at the bottom, otherwise you run the risk that moisture has condensed into the motor and cannot be drained off. In this case you need to remove the drain plugs.

# OMEC MOTORS

## OMT1/2/3/4, TA,TC, MS series Mounting & Maintenance Instructions

Under any exception must be the free flow of air to the cooling fan to avoid the overheating of the motor. This has to be consider also when motor is mounting in small rooms with limited space. The ambient temperature must not exceed 40 degrees centigrade, if more has to be consider with the supplier.

Frame size	Min distance to the wall
80 - 100	40 mm
112 - 160	50 mm
180 - 225	90 mm
250 - 315	150 mm
355	175 mm
400	300 mm

#### 4. COUPLING

##### 4.1 Direct coupling

The motor and the driven machine must be mounted in one line to avoid tension on the shaft. Bad alignment can be a major source of noise and vibrations.

We do not recommend using solid couplings.

##### 4.2 Indirect coupling

###### Flat or V Belts

Mount the motor on slide rails in order to adjust belt tension. The belt pulley has to be fitted hard up the shoulder of the shaft. The pulley center line should be within the shaft center line. Use correctly sized belts with a correct profile and in sufficient numbers to drive without slip and undue tension. Align both pulleys accurately in such a way that the center of both pulleys are in line. Multi V belt drives need to be matched sets.

A belt pulley, which is either too small or too wide, or too high, a tension on the belt may damage the bearing or cause a shaft break. In case of doubt, consult the supplier.

OMT1/2/3/4, TA,TC, MS series Mounting & Maintenance Instructions

Spur Gear Drives

The motor and the driven machine have to be positioned in such a way that the two gears mesh correctly. The motor should then be fixed with dowels.

**4.3. Shaft couplings and pulleys etc.**

Remove the corrosion protection from the shaft extension and the coupling elements. The coupling parts, belt pulleys and gear wheels need to be dynamically balanced and fit easily on the shaft and to be provided with good fitting keyway.

In the factory the rotor has already been dynamically balanced including a half key in the shaft.

The dimension and the tolerances of the shaft extension and the key are indicated on the motor dimension sheet.

Assembling the coupling elements has to be done with great care. Careless handling may damage the bearings, shaft or end shields.

Do not file or grind the shaft to achieve a fit!

When fitting pulleys couplings or bearings, we recommend using heat to elements; therefore the part to be mounted has to be heated till  $\pm 110$  degrees above the ambient temperature.

A large washer and set screw can be useful for pushing on pulleys using the tapped hole in the shaft. Only use proper tools for removing the above mentioned parts e.g. pulley drawers.

OMT1/2/3/4, TA,TC, MS series Mounting & Maintenance Instructions

**5. ELECTRICAL CONNECTION**

**5.1. General information**

On delivery the motor will rotate clockwise looking at the drive when the phases L1, L2 and L3 are connected respectively to the connection terminals U1, U2 and U3.

Exchanging any two-phase lines can change the direction of rotation.

Connection diagram is shown on the bottom of the motor TBox cover.

When a motor is only suited for one direction of rotation, it is indicated with an arrow on the motor fan cowl.

Connecting cables must conform to IEE regulations, as must earthing requirements. Line fuses only protect the cables in case of short-circuiting and do not constitute a safeguard against the overheating of the winding caused by overload. Therefore it is recommended that a motor starter and overload is fitted, giving single phasing and overload protection.

All OMEC motors are fitted in standard with PTC's. For windings thermal protection PTC should be connected.

**OMT1/2/3/4, TA,TC, MS series Mounting & Maintenance Instructions**

**5.2. Circuit**

Normally our motors are provided with a terminal box with six connections, to which six leads from the winding are connected either in a delta connection or in a star connection by means of connection links.

Usually two voltages are indicated on the nameplate of these motors, which means that the motor can be connected to a circuit having one of these voltages.

If the main voltage is corresponding with the lowest indicated voltage, the winding has to be connected in delta connection (see figure 1); if it is corresponding with the highest indicated voltage, the winding has to be connected in star connection (see figure 2).

A motor with e.g. 230/400V on its rating- plate is suited to be switched on directly, on a circuit with a voltage of 230V between phases with the winding connected in a delta connection, or on a circuit with a voltage of 400V with the winding connected in a star connection.

But if the motor is switched on with a star- delta starter the motor is only suited for a main voltage on the rating-plate, this is the delta voltage. In this case, the connection strips on the terminal box have to be removed when the motor is connected; the star and delta connection will be made successively in the starter during the run up. If only one voltage is indicated on the rating- plate together with the delta sign, the motor can be switched on directly at the indicated voltage or with a star/delta start.

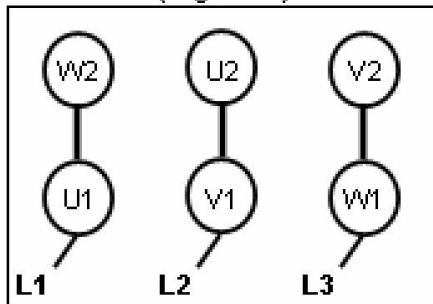
Pole change motors (for two or more speeds) are connected according to a diagram sent together with the motor.

OMT1/2/3/4, TA,TC, MS series Mounting & Maintenance Instructions

6. CONNECTION DIAGRAM

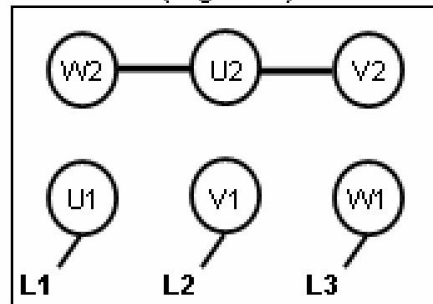
**Standard single speed motors**

(Figure 1)



Δ connection

(Figure 2)



Y connection

OMT1/2/3/4, TA,TC, MS series Mounting & Maintenance Instructions

**7. PUTTING INTO SERVICE**

Before putting a motor into service, one should check especially when the motor has not been used for a long time that the insulation resistance of the winding is sufficient. The insulation resistance has to be at least 10 meg/ohms on a 1000V megger.

If the insulation resistance is not high enough, the motor has to be dried out and revarnished or rewound. Check all connections and adjust the thermal protection units to the correct current. Switch the motor on in a no load state to determine the direction of rotation. Load the motor gradually and check whether it runs without vibration.

The motor can be used under deviation of the main voltage  $\pm 5\%$  or frequency of max.  $\pm 2\%$  compared to the nominal frequency or nominal voltage, in compliance with the international regulations for electric machines.

**8. MAINTENANCE**

The totally enclosed and fan cooled three phase squirrel cage induction motors require very little maintenance.

Nevertheless it is recommended to check the motor regularly in order to prevent a breakdown caused by dust, moisture, vibrations, too much or too little greasing.

**8.1. Dust**

The outer parts of the totally enclosed motors, especially the cooling ribs or cooling channels, have to be kept as clean as possible in order not to obstruct the cooling air from the fan extracting the heat from the motor frame.



OMT1/2/3/4, TA,TC, MS series Mounting & Maintenance Instructions

**8.2. Moisture**

Motors, which are not often run, should be started from time to time to prevent moisture affecting the windings in the long term. Not concern motors with AC Heaters fitted.

**8.3. Wear & vibration**

To prevent abnormal wear & vibration, one should:

- a. take care that the tension of the belt or the chain is not too high;
- b. check whether the mounting of directly coupled machines is correct;
- c. Check whether the foundation bolts the bolts to fasten the motor and the slide rails are tight.

**8.4. Greasing**

Before they leave the factory, the bearings of the OMEC motors are filled with a high quality Lithium base grease.

The sizes 56 up to and including 250 are provided with shielded/sealed bearings (ZZ-C3), which have been filled with life-time grease by the manufacture of the bearings.

Motors with sealed bearings and no re-lubrication system require no maintenance other than checking for noise & temperature during their lifetime.

Sizes 280 up to and including 400, has been provided with lubrication system containing a grease valve. The lubrication must take place when the machine is running. The old grease is ejected from the grease valve thus maintaining the correct level and avoiding overfilling which would be harmful.

OMT1/2/3/4, TA,TC, MS series Mounting & Maintenance Instructions

Replacement of ball or roller-bearings

When a bearing has to be replaced, the old bearing has to be removed from the shaft with proper tools in order not to damage the shaft. Thereupon the bearing location on the shaft has to be cleaned and checked thoroughly.

To fit a new bearing correctly, heat to 80 degrees centigrade with an electric induction heater, then slip quickly onto the shaft up to the stop. In the case of a roller bearing only fit the inner race in this manner. Heating temperature for open bearings is 110°C.

A suitable sleeve may be used to help by tapping gently to seat the bearing home. Note that under no circumstances must a bearing be driven home cold with excess force. We must also stress that pressure must not be applied to the outer race of a ball bearing.

***Do not mount the end shield until the bearing has cooled down.***

# OMEC MOTORS

## OMT1/2/3/4, TA,TC, MS series Mounting & Maintenance Instructions

### 9. BEARING TYPE AND BEARING INSIDE DIAMETER

OMEC Motor Type	Poles	Type of bearing		Bearing inside		
		Drive End	Non Drive End	diameter (mm)		
OMT2/4/TA/MS						
/MS 56	2 / 4	6201	ZZ	6201	ZZ	12 / 12
OMT2/4/TAMS						
63	2 / 4	6201	ZZ	6201	ZZ	12 / 12
OMT2/4/TAMS						
71	2 / 4 / 6	6202	ZZ	6202	ZZ	15 / 15
OMT2/4/TA/MS						
80	2 / 4 / 6 / 8	6204	ZZ	6204	ZZ	20 / 20
OMT1/3/TC 80	2 / 4 / 6 / 8	6204	ZZ	6204	ZZ	20 / 20
OMT2/4/TA/MS						
90	2 / 4	6205	ZZ-C3	6205	ZZ-C3	25 / 25
OMT2/4/TA/MS						
90	6 / 8	6205	ZZ-C3	6205	ZZ-C3	25 / 25
OMT1/3/TC 90	2 / 4 / 6 / 8	6205	ZZ-C3	6205	ZZ-C3	25 / 25
OMT2/MS 100	2 / 4 / 6 / 8	6206	ZZ-C3	6206	ZZ-C3	30 / 30
OMT1 100	2 / 4 / 6 / 8	6206	ZZ-C3	6206	ZZ-C3	30 / 30
OMT2/4/TA/MS						
112	2 / 4 / 6 / 8	6306	ZZ-C3	6306	ZZ-C3	30 / 30
OMT1/3/TC 112	4 / 6 / 8	6306	ZZ-C3	6306	ZZ-C3	30 / 30
OMT2/4/TA/MS						
132	2 / 4 / 6 / 8	6308	ZZ-C3	6308	ZZ-C3	40 / 40
OMT1/3/TC 132	4 / 6 / 8	6308	ZZ-C3	6308	ZZ-C3	40 / 40
OMT2/4/TA/MS						
160	2 / 4 / 6 / 8	6309	ZZ-C3	6309	ZZ-C3	45 / 45
OMT1/3/TC 160	4 / 6 / 8	6309	ZZ-C3	6309	ZZ-C3	45 / 45
OMT1/3/TC 180	4 / 6 / 8	6311	ZZ-C3 / NU311*	6311	ZZ-C3	55 / 55
OMT1/3/TC 200	4 / 6 / 8	6312	ZZ-C3 / NU312*	6312	ZZ-C3	60 / 60
OMT1/3/TC 225	4 / 6 / 8	6313	ZZ-C3 / NU313*	6313	ZZ-C3	65 / 65
OMT1/3/TC 250	4 / 6 / 8	6314	ZZ-C3 / NU314*	6314	ZZ-C3	70 / 70

\* Regreasable at DE only !

OMT1/3/TC

280 2 6314 C3 / NU314 6314 C3 70 / 70

OMT1/3/TC

280 4 / 6 / 8 6317 C3 / NU317 6317 C3 85 / 85

OMT1/3/TC 2 6317 C3 / NU317 6317 C3 85 / 85

# OMEC MOTORS

## OMT1/2/3/4, TA,TC, MS series Mounting & Maintenance Instructions

315				
OMT1/3/TC				
315	4 / 6 / 8	6319 C3 / NU319	6319 C3	95 / 95
OMT1/3/TC				
355	2	6317 C3 / NU317	6317 C3	85 / 85
OMT1/3/TC				
355	4 / 6 / 8	6322 C3 / NU322	6320 C3	110 / 100
OMT1/3/TC				
400	2	6317 C3 / NU317	6317 C3	85 / 85
OMT1/3/TC				
400	4 / 6 / 8	6326 C3 / NU326	6326 C3	130/130

### 10. BEARING GREASE INTERVALS

By the term “ greasing interval” we mean the number of working hours after which the bearing lubricant has to be replaced.

Electric motors have such a wide range of application that they must cope with many adverse conditions as for instance dust, moisture, vibration, temperature, chemicals, marine atmosphere and of course, the mounting position and loading of the driven machine.

Generally we can say lubrication life is a product of time, speed and the bearing size. Due to the impact of all these factors, it is practically impossible to determine any exact values that are valid under all circumstances. Nevertheless it is necessary to provide at least some guidelines concerning greasing to the user.

Under normal load and environmental conditions the quality of the grease ensures proper operation of the motor for about 20 000 service hours with 2-pole designs and 40 000 service hours with multi pole designs. If not otherwise agreed upon the grease need not be refilled during this period. Nevertheless the condition of the grease filling should be occasionally checked also within the said lubricating intervals.

The stated service hours are only current under operation with rated speed. For

# OMEC MOTORS

## OMT1/2/3/4, TA,TC, MS series Mounting & Maintenance Instructions

relubrication thoroughly clean the bearings with a suitable solvent and use the same or substitute grades specified by the motor manufacturer. Bear in mind, however, that the bearings should be filled only up to about 2/3 of their free space as a complete filling of the bearings and bearing covers results in an increased bearing temperature and therefore in increased wear. For bearings with relubrication facility regrease at the grease fitting with the motor running according to the grease amount required for the motor in case. The relubrication intervals should be looked up in the following table:

Construction size	Two pole motors	Four-pole and multi-pole motors
80 up to and including 400	2000 hours	4000 hours

A chemically aggressive environment, extreme moistness, strong vibrations, high or low ambient temperatures are not normal circumstances and such conditions must be taken into account.

### 11. STORAGE

Motors should be stored in a dry, vibration free and clean area at normal ambient (-20°C to +40°C).

Motors should be also stored away from corrosive or chemically damaging fumes.

Shafts should be rotated by hand every half year concerning motors 180 frame and above.

In case if vibrations are unavoidable shaft should be locked. Motors with roller bearings are supplied with shaft locking device which should be kept in place during storage.

# OMEC MOTORS

## OMT1/2/3/4, TA,TC, MS series Mounting & Maintenance Instructions

### 12. MOTOR SPARE PARTS LIST & DRAWING

Three-phase motor with squirrel-cage rotor	
1 Shield B3 DE	19 Bolt bearing cap NDE
2 Fixing bolt shield DE	20 Fan cover
3 Stator frame	21 Fan cover screw
4 Eye bolt	22 Terminal Box screw
5 Feet	23 Terminal Box cover
6 Nameplate	24 Terminal Box gasket
7 Spring washer	25 Connection fixation nuts
8 Bearing DE	26 Terminal board
9 Inner Bearing cap DE from size 180	27 Terminal board holder bolt
10 Key	28 Terminal block PTC
11 Rotor core	29 Blinder
12 Inner bearing cap NDE from size 180	30 Cable gland
13 Bearing NDE	31 Terminal Box house
14 Shield NDE	32 Windings
15 Fixing bolt shield NDE	33 Flange B5
16 Outer bearing cap NDE from size 180	34 Flange B14
17 Fan	35 Bearing cap DE outside
18 Circlip	36 Fixing bolt bearing cap outside

# OMEC MOTORS

## OMT1/2/3/4, TA,TC, MS series Mounting & Maintenance Instructions

